

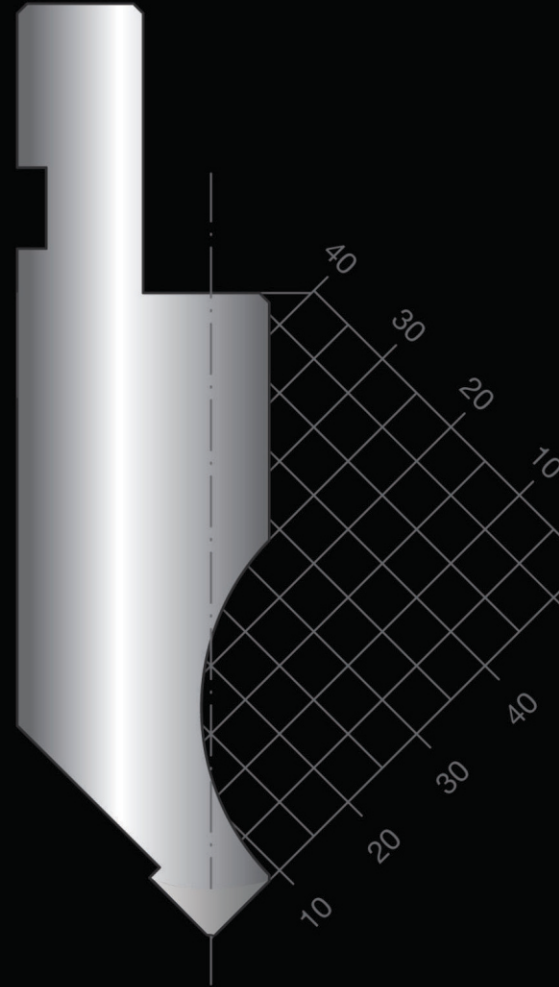


MATA ANUSUIYA TOOLS

BRAKE PRESS TOOLING

Mata Anusuiya Tools is one of the extraordinary manufacturer of Brake Press Tooling in Indian market.

We are manufacturer tools for Break Press Machine like as :HINDUSTAN HYDRAULIC, AMADA, HACCO, YANGLI e.t.c. AND PUNCHING MACHINE TOOLS.



+91 9811361942

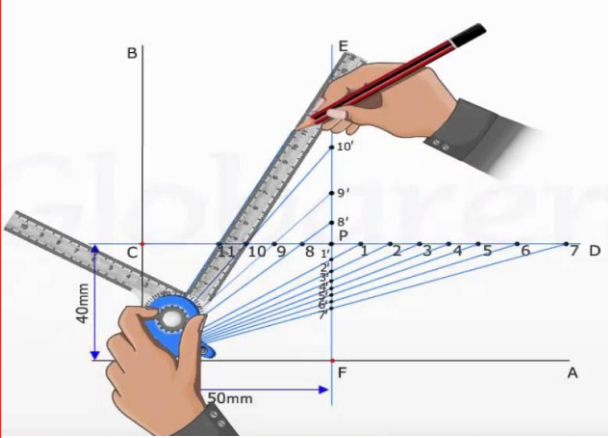


mataanusuiyatools@gmail.com



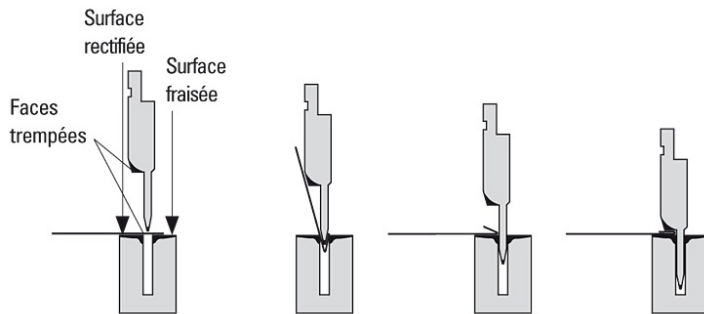
MATA ANUSUIYA TOOLS

ABOUT US



Mata Anusuiya Tools founded in 1998 is one of the extra ordinary manufacturer of cnc brake press tooling in Indian market. The most important fact about the firm is that they always wishes to do extra ordinary compared to do other firms. This fact mostly keeps them ahead of their competitors by a huge margin. Apart from the quality product manufacturing firm also keeps their rates very reasonable so that nobody has to choose between quality & price. The proud director s.k awasthi is very dynamic and dedicated persons with high level of determination . They have just one love and one hobby and amazingly they both are also same &that's his work and so why because of their workaholicnature they usually never gets any free time to spare.

EXEMPLE D'APPLICATION



OUR MACHINERY

CNC MACHINE
VMC MACHINE
LATHE MACHINE
MILING MACHINE
SURFACE GRINDER
Automatic MNTR



Press Brake Tooling

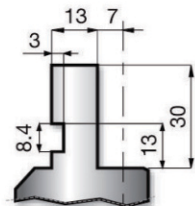
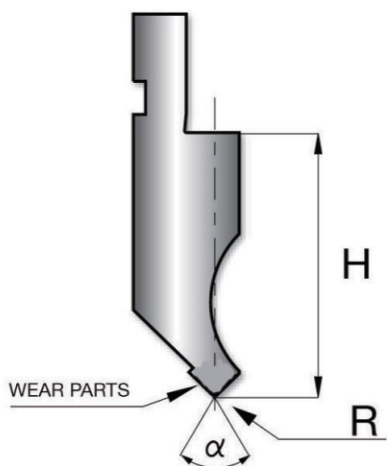


PUNCH

MATA ANUSUIYA TOOLS

SAFETY GROOVE DATA

MATP1001



Legend	
H	= Height
α	= Degree
R	= Radius

415 mm

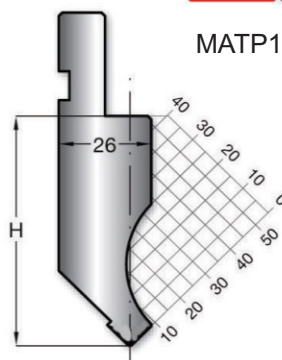
835 mm

805 mm

α R H T/mt Mt

11.100	90°	0.80	66.60	100	▶
10.152	90°	0.25	66.60	100	▶
11.101	88°	3.00	65.45	100	▶
11.145	88°	0.80	66.50	100	▶
10.153	88°	0.25	66.50	100	▶
11.201	85°	3.00	65.45	100	▶
11.200	85°	0.80	66.50	100	▶
11.853	85°	0.25	66.50	100	▶
11.275	75°	0.80	67.60	100	▶

MATP1002



90°

88°

85°

75°

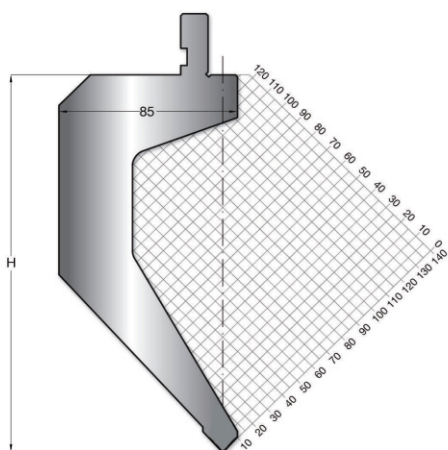
505 mm

500 mm

α R H T/mt Mt

11.840 85° 1.00 185.00 60 ▶

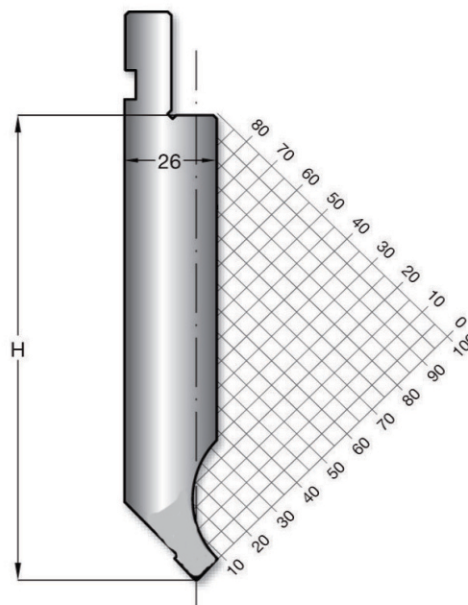
MATP1003



α R H T/mt Mt

11.870	88°	0.80	135.00	100	▶
11.232	85°	0.80	135.00	100	▶

MATP1004

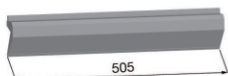


88°

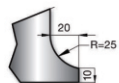
85°

STANDARD LENGTH - (S)

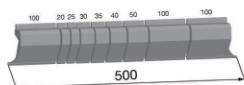
HORNS SCHEME STANDARD SECTIONING



505 mm



SECTIONED LENGTH - (F)



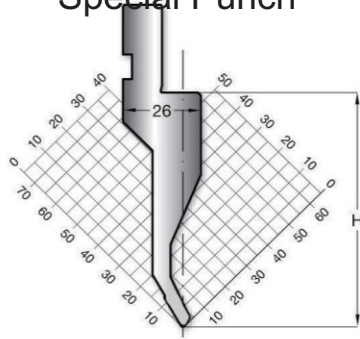
500 mm

85°

PUNCH

MATA ANUSUIYA TOOLS

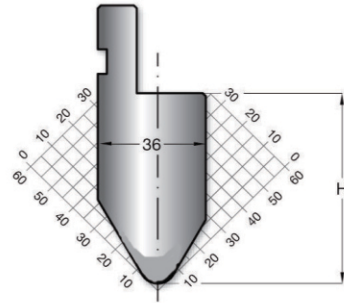
Special Punch



MATP1005

30

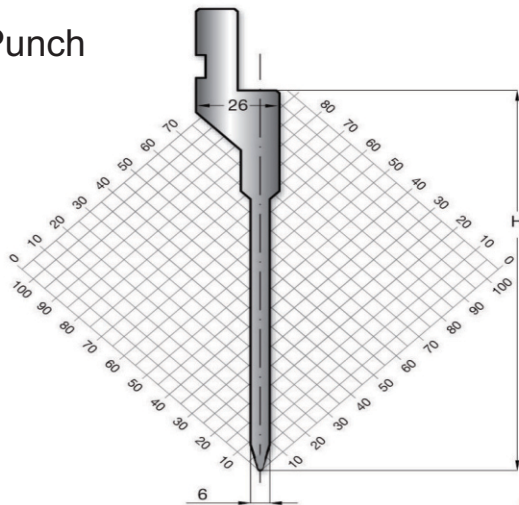
Radius Punch



MATP1006

30

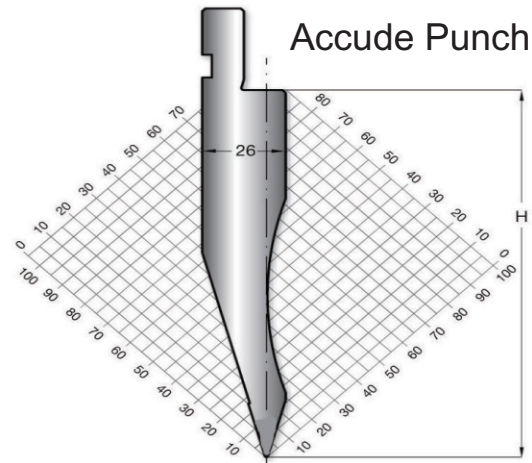
Straight Punch



MATP1007

30

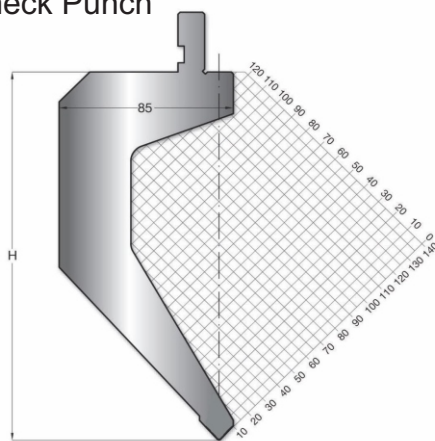
Accude Punch



MATP1008

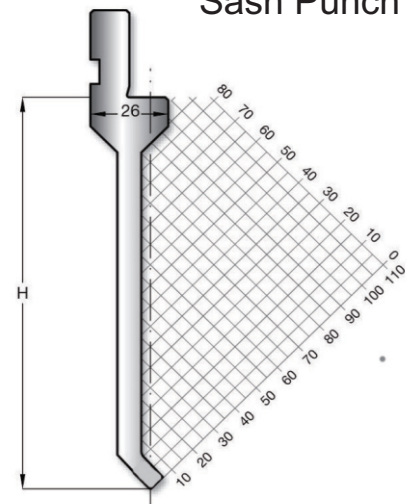
30

Gooseneck Punch



MATP1009

Sash Punch



MATP1010

30

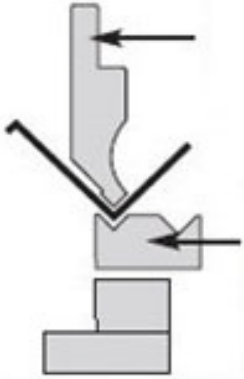
35

DIE

MATA ANUSUIYA TOOLS

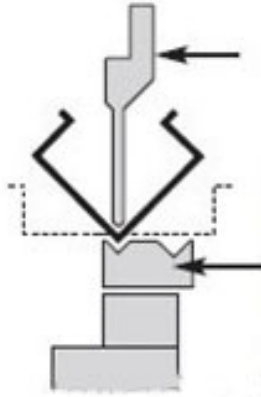
90° BENDING

MATD1011



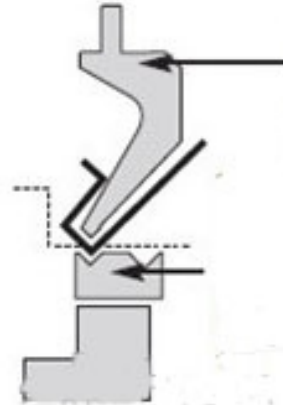
90° BENDING STRAIGHT

MATD1012



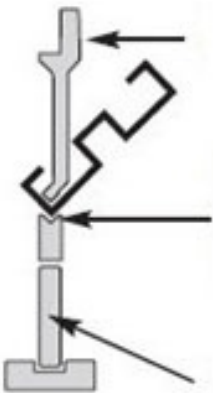
90° BENDING GOOSENECK

MATD1013



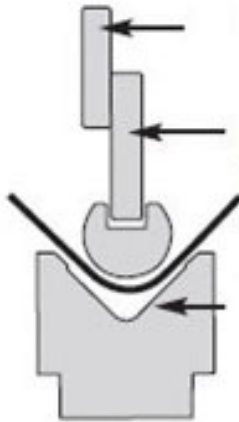
90° BENDING

MATD1014



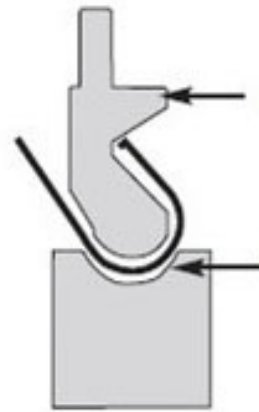
90° BENDING

MATD1015



RADIUS BENDING

MATD1016



MATD1017



MATD1018



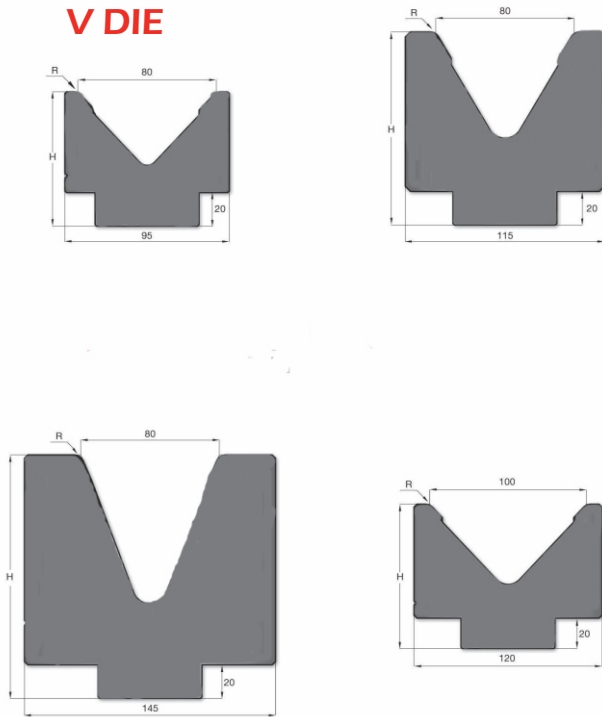
MATD1019



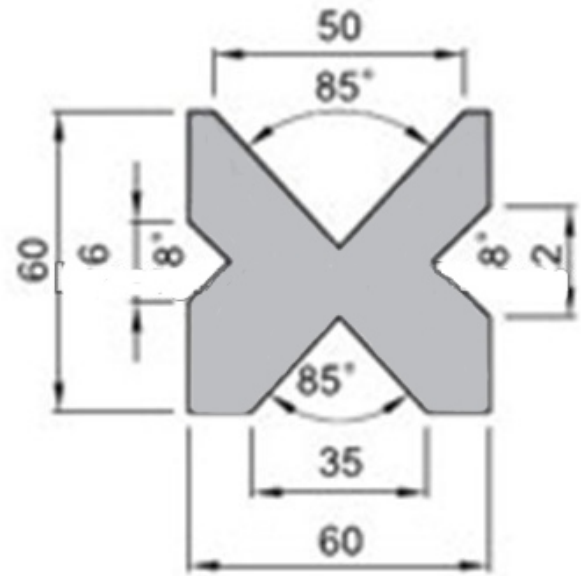
DIE

MATA ANUSUIYA TOOLS

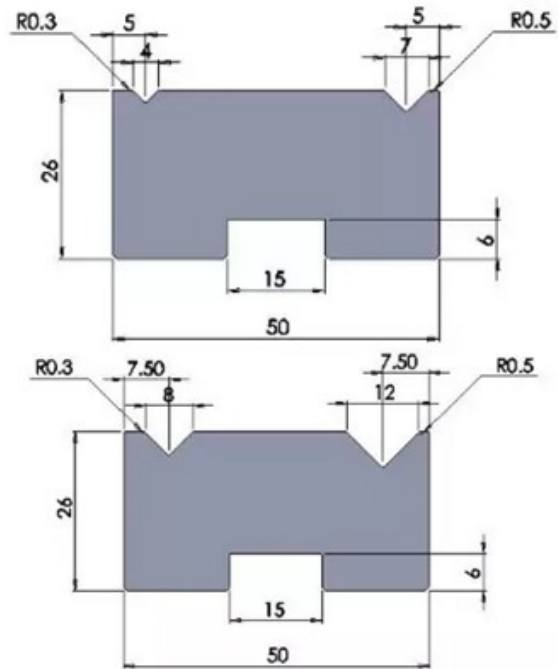
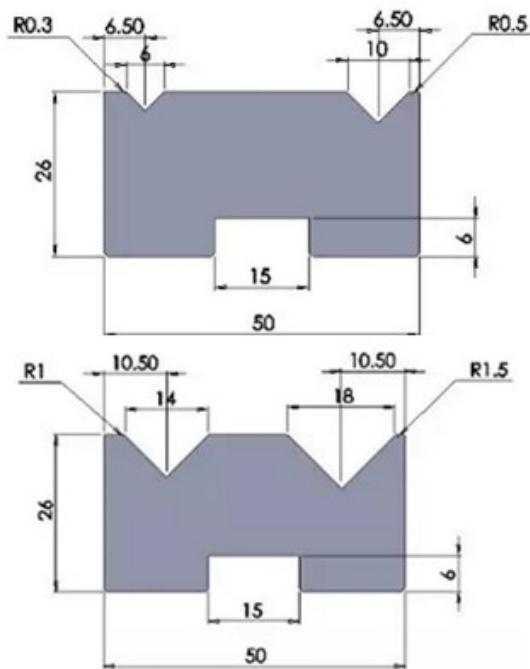
V DIE



MULTI DIE



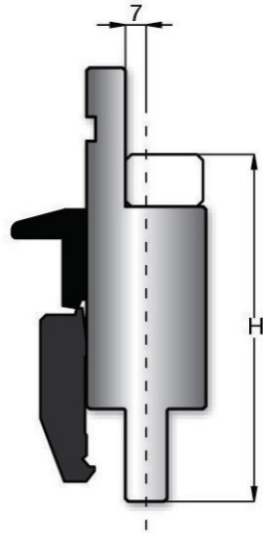
2V DIE



MATA ANUSUIYA TOOLS

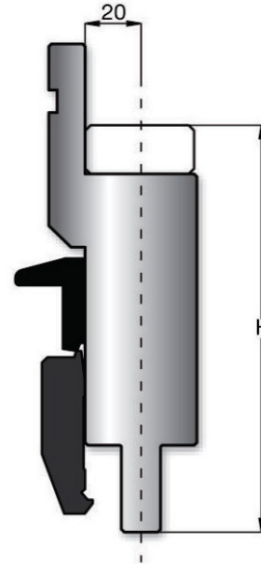
150 mm

	L	H	T/mt	Mt
50.200	150	100.00	100	▶
50.210	150	120.00	100	▶
50.220	150	150.00	100	▶



	L	H	T/mt	Mt
50.250	150	150.00	100	▶

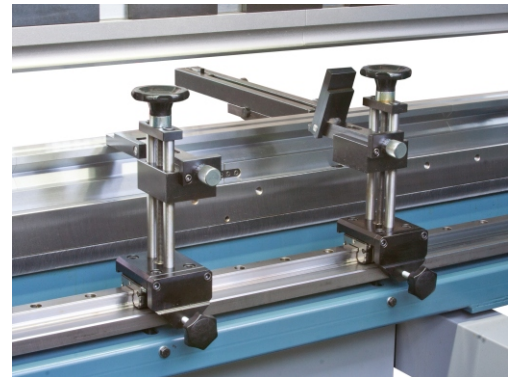
50.250	150	150.00	100	▶
---------------	-----	--------	-----	---



PUNCH ADAPTER



BACK GAUGE



PUNCH ADAPTER



Our Valuable Clients



+91 9312348154

+91 9654318016

+91 9015034721



mataanusuiyatools@gmail.com
amitawasthi94@gmail.com



www.cncbreakpresstooling.com



Plot no. 7, Dabua Pali Road , 17no. Chungi,
Near Hare Rama Hare Krishna dharam Kanta ,
N.I.T. Faridabad Haryana

